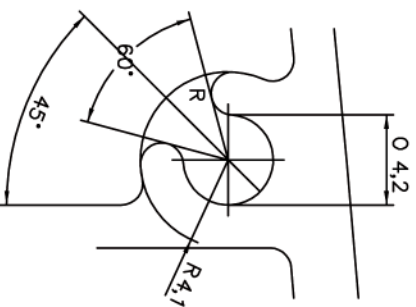
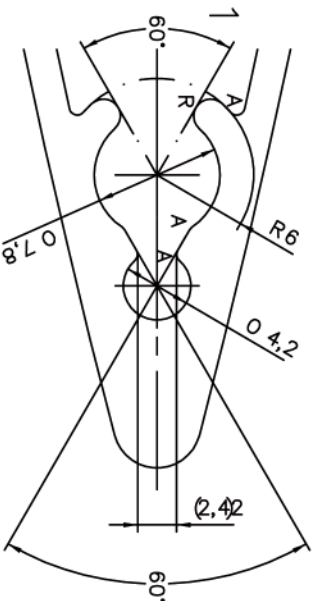


Detail A  
Maßstab 4:1



Detail B  
Maßstab 3:1



<b>HATEC</b> ALUPROFILIE GMBH		Contract Nr.	---
7423 Pinkatfeld, Grafenschachen Gewerbepark 1/2		Plan Nr.	---
CLIENT	ARCHITECT	Piece	---
---	---	Surface	---
BUILDING PROJECT	COMPONENT	Scale	1,5:1
---	---	Date	04.10.
Copyright und world distribution of this drawing stay exclusive to the company ALU-Systeme Martin Haller		Drawn	A.V.
Unions	Component	Index	Plan Nr.
---	---	---	---