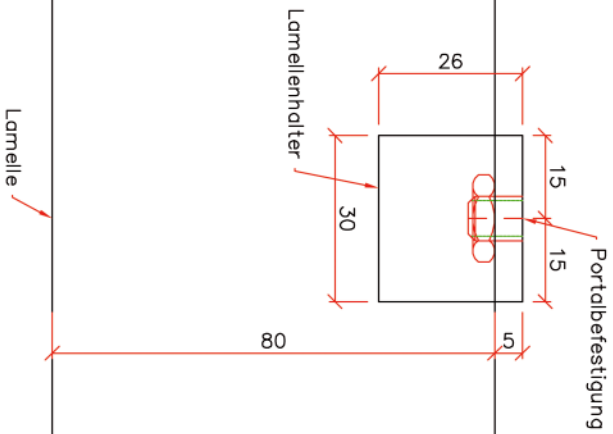
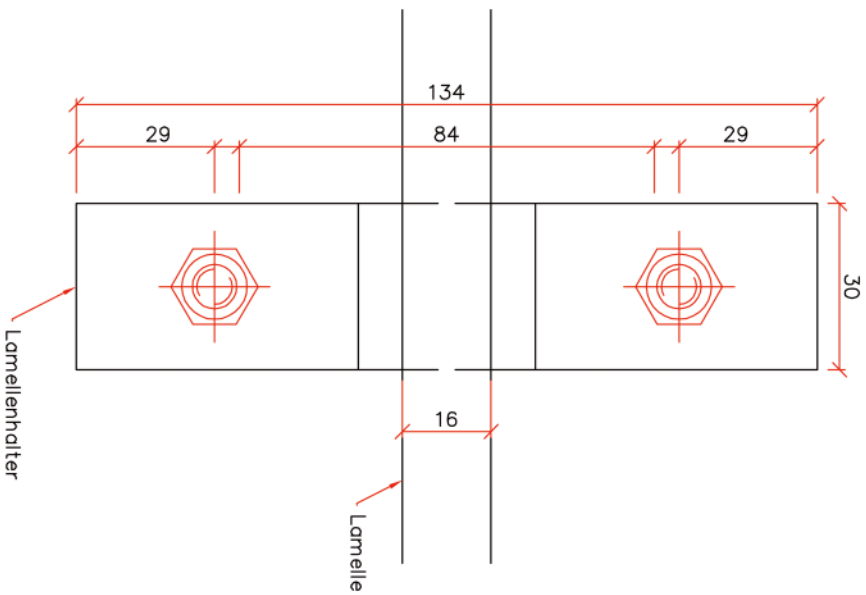


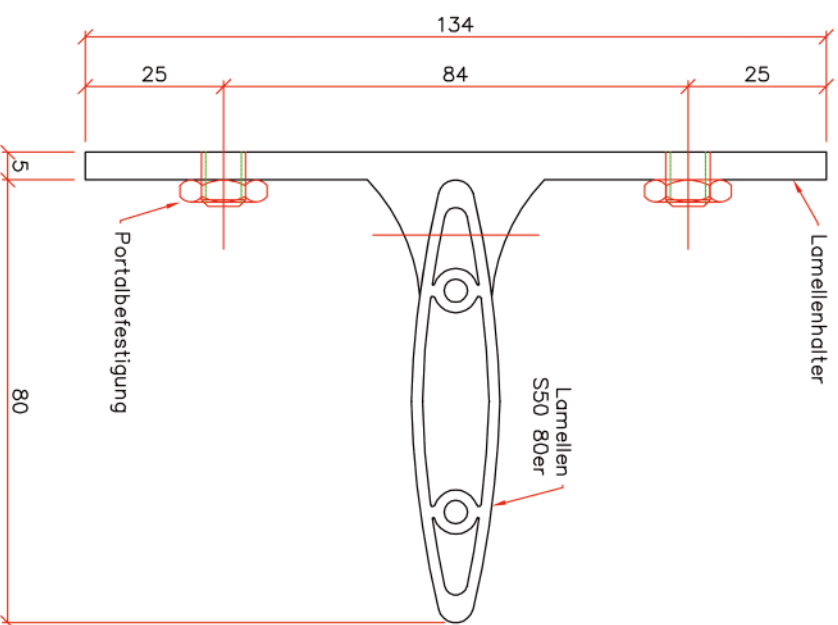
Grundriss



Ansicht



Schnitt



7423 Pinkafeld, Grafenschachen Gewerbepark 1

CLIENT

ARCHITECT

BUILDING PROJECT

COMPONENT

S50_80 Lamellen

Copyright und world distribution of this drawing stay exclusive to the company ALU-Systeme Martin Haller

7423 Pinkafeld
Grafenschachen Gewerbepark 1

Tel.: 03359 / 29 329
Fax: 03359 / 29 329 44

e-mail: office@als-haller.at
Mobil: 0676 / 70 98 885



Haller

Unions

—

A

Index

Plan Nr.

Contract Nr.

Plan Nr.

Piece

Surface

Scale

Drawn

24.03.2010

Date

M.G.

Name
