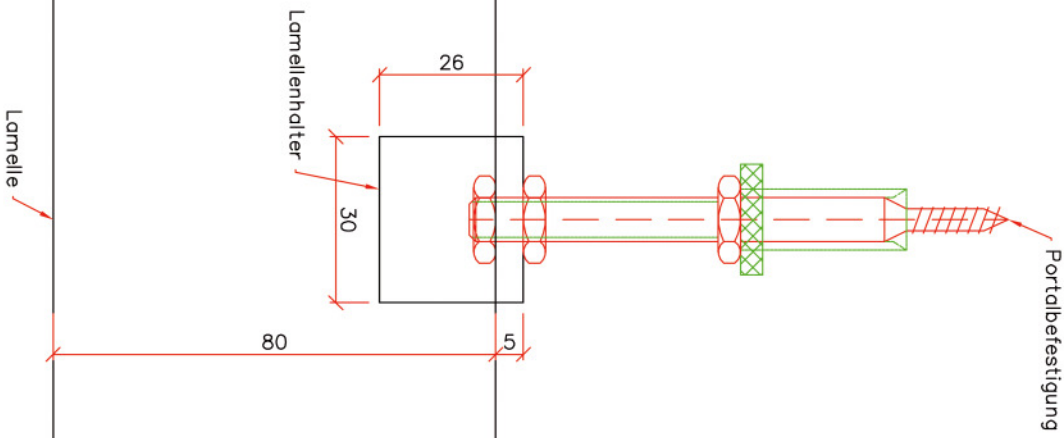
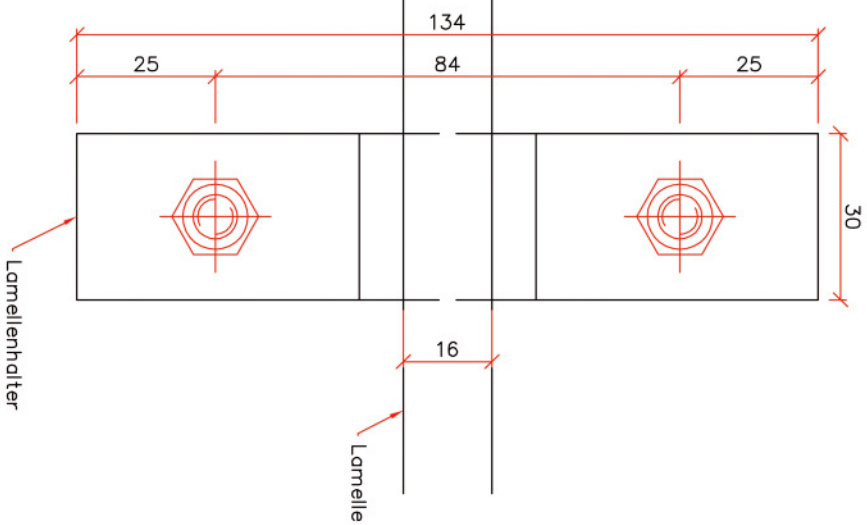


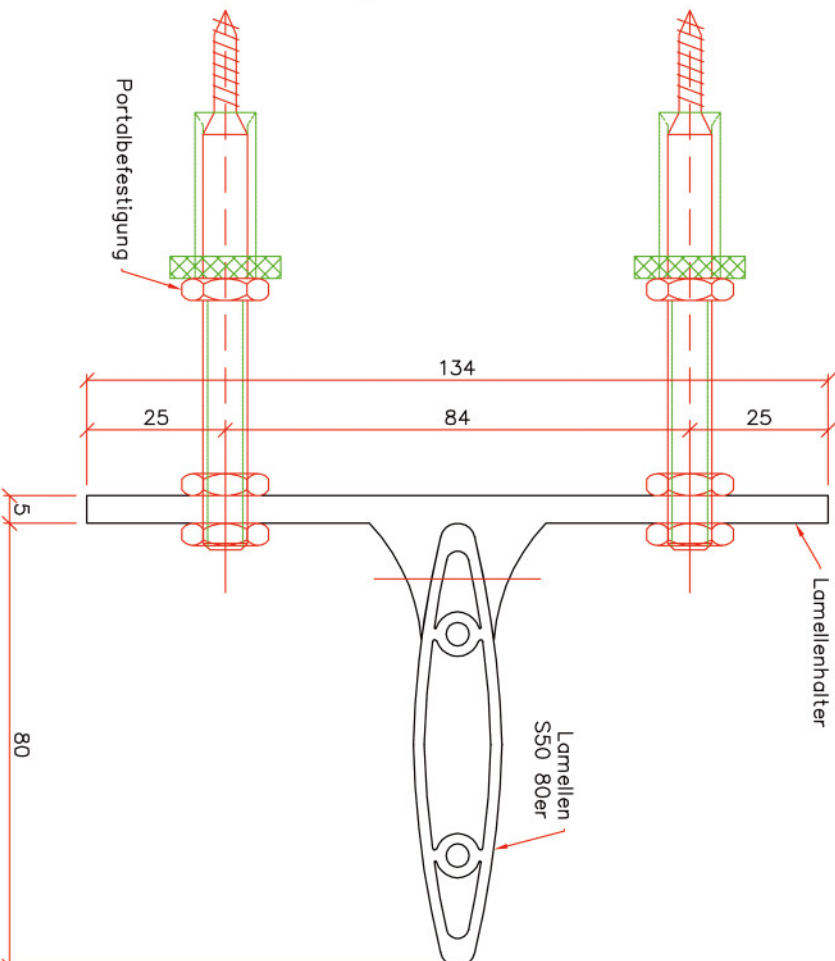
Grundriss



Ansicht



Schnitt



Haller
7423 Pinkafeld, Grafenschachen Gewerbepark 1

| | | | |
|------------------|-----------------|--------------|------------|
| CLIENT | ARCHITECT | Contract Nr. | -- |
| BUILDING PROJECT | COMPONENT | Plan Nr. | -- |
| S50_80 Lamellen | S50_80 Lamellen | Piece | -- |
| | | Surface | -- |
| | | Scale | -- |
| | | Drawn | Date |
| | | | 24.03.2010 |
| | | | Name |
| | | | M.G. |

Copyright und world distribution of this drawing stay exclusive to the company ALU-Systeme Martin Haller

| | | | | |
|--|--|---|---------------|-----------------------|
| <p>7423 Pinkafeld Grafenschachen Gewerbepark 1</p> | <p>Tel.: 03359 / 29 329 Fax: 03359 / 29 329 44</p> | <p>e-mail: office@alu-haller.at Mobil: 0676 / 70 96 885</p> | <p>Unions</p> | <p>Index Plan Nr.</p> |
| | | | | A |
| | | | | -- |